

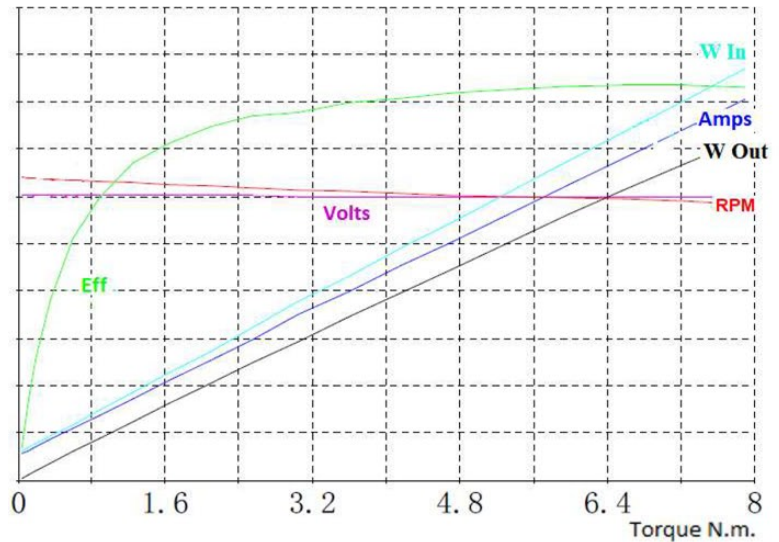
Model: MM1518FC

Description: MaxMotion 1.5HP, 1750RPM, 180VDC, TEFC, 56C/145TC

Tester: 01

Test Date: 2018.11.12

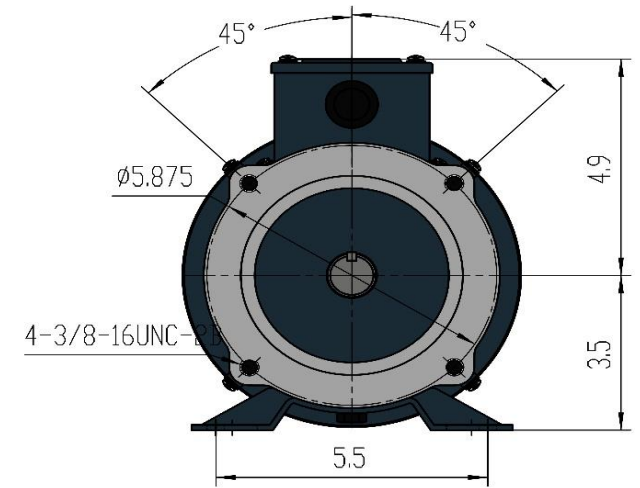
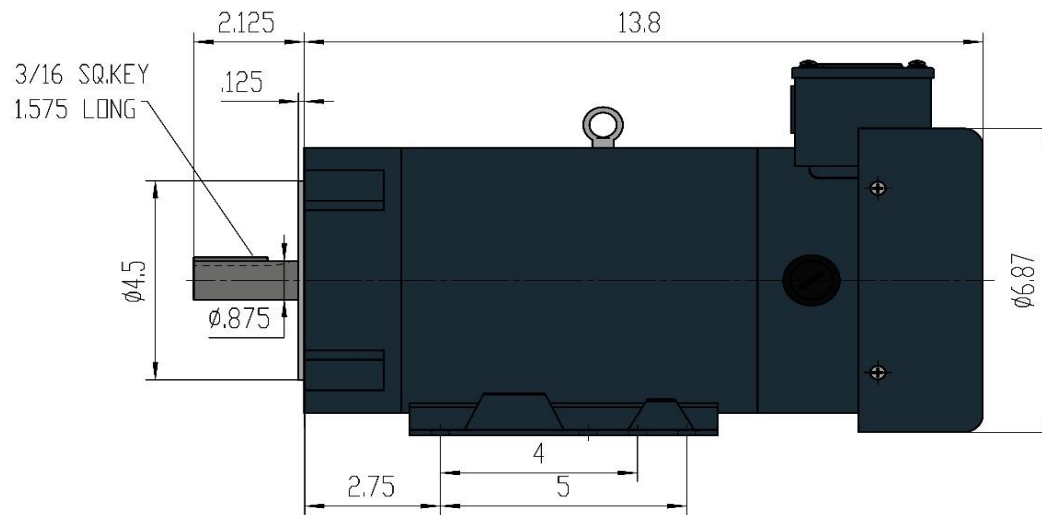
V	A	W In	RPM	W out	Eff.%
300	12	2000	3000	2000	100
270	10.8	1800	2700	1800	90
240	9.6	1600	2400	1600	80
210	8.4	1400	2100	1400	70
180	7.2	1200	1800	1200	60
150	6	1000	1500	1000	50
120	4.8	800	1200	800	40
90	3.6	600	900	600	30
60	2.4	400	600	400	20
30	1.2	200	300	200	10
0	0	0	0	0	0



Measured Points	V	A	Input Watts	N.m.	RPM	Output Watts	%
No Load	180.3	0.683	123.30	0.04	1921	8.44	6.8%
Rated	180	7.492	1349	5.99	1793	11200	83.5%
Efficiency Max.	180	8.162	1469	6.58	1781	1227	83.5%
Max. Kw Output	180	9.662	1739	7.9	1746	1444	83.0%
Max. Torq. Output	180	9.662	1739	7.9	1746	1444	83.0%
End	180	9.662	1739	7.9	1746	1444	83.0%

Load	Measure	V	A	Input Watts	N.m.	RPM	Output Watts	%
0.8%	1	180.3	0.683	123.30	0.04	1921	8.440	6.8%
1.9%	2	180.3	0.743	134.00	0.1	1919	20.89	15.5%
3.5%	3	180.3	0.846	152.60	0.19	1917	38.93	25.5%
6.4%	4	180.3	1.027	185.40	0.35	1911	70.42	37.9%
10.9%	5	180.3	1.305	235.50	0.6	1905	120.4	51.1%
16.2%	6	180.3	1.648	297.30	0.89	1897	178.3	59.9%
22.6%	7	180.2	2.052	370.0	1.25	1889	248.8	67.2%
29.5%	8	180.2	2.529	456.0	1.65	1875	324.7	71.2%
37.1%	9	180.2	3.023	544.9	2.09	1865	408.1	74.8%
45.0%	10	180.2	3.566	642.7	2.55	1854	494.9	77.0%
53.3%	11	180.1	4.185	754.1	3.04	1842	586.6	77.7%
62.7%	12	180.1	4.79	863.1	3.59	1830	689.3	79.8%
72.0%	13	180.1	5.446	981.1	4.16	1819	792.2	80.7%
81.3%	14	180.1	6.068	1093	4.73	1806	894.7	81.8%
91.3%	15	180.0	6.753	1216	5.33	1798	1004	82.5%
102.3%	16	180.0	7.492	1349	5.99	1793	1125	83.3%
102.3%	17	180.0	7.4922	1349	5.99	1973	1125	83.3%
111.5%	18	180.0	8.162	1469	6.58	1781	1227	83.5%
121.7%	19	180.0	8.919	1605	7.24	1767	1339	83.4%
131.3%	20	180.0	9.662	1739	7.9	1746	1444	83.0%

MaxMotion



Customer is responsible in determining that MaxMotion product will fit/perform suitably in the intended application

Version: 1NIN

Revised: April 2020

HP	RPM	Voltage	Amps	Const.	Frame	Insul.	Torque	P. Code	Wgt lbs	Rated
1,5	1750	180Vdc	7,86	TEFC	145TC	Class H	54 in/lbs	K (SCR)	45	IP45

MM1518FC

DC PERMANENT MAGNET MOTOR

HEAVY GAUGE ROLLED STEEL CONSTRUCTION | TENV TOTALLY NON-VENTILATED & TEFC TOTALLY ENCLOSED FAN COOLED SCR RATED, 90VDC, 180VDC

MaxMotion

Applications:

For use with SCR rated single phase DC variable speed controls used in conveyors, pumps, packaging equipment and many other applications where economical precise speed control is required.



Features:

Design - SCR Rated

Construction - Rolled Steel, NEMA C-Face Footed with Removable Base

Agency listings and standard - NEMA, UL Recognized and CSA Certified, RoHS Compliant

Service Factor - 1.0

IP Rating - IP45

Insulation - Class F Insulation

Speed Range - 20:1 Constant Torque, Linear Speed/Torque Characteristics over entire speed range

Voltage - 90V & 180V

Bearings - Permanently Lubricated High quality Double Shielded Ball Bearings

Brushes - Oversized for Extra Long Life, Easy brush access with Unique brush Holder

Enclosure Protection - (TEFC) Totally Enclosed Fan Cooled & (TENV) Totally Enclosed Non-Ventilated

Duty - Continuous

Warranty - 18 Months

DC PERMANENT MAGNET MOTOR

HEAVY GAUGE ROLLED STEEL CONSTRUCTION | TENV TOTALLY NON-VENTILATED & TEFC TOTALLY ENCLOSED FAN COOLED SCR RATED, 90VDC, 180VDC



HP	FL RPM	VOLTS	FRAME	CAT NO.	CONSTRUCTION	ENCLOSURE	NOM EFF.	F.L. AMPS	DE BEARING	NDE BEARING	WT (Lbs)	"C" Dimension (Inch)
0.25	1773	90	56C	MM2590NV	ROLLED STEEL	TENV	76.70%	2.05	6203	6203	21	8
	1773	90	56C	MM2590FC	ROLLED STEEL	TEFC	76.70%	2.05	6203	6203	21	9.6
	1717	180	56C	MM2518NV	ROLLED STEEL	TENV	71.90%	2.55	6203	6203	21	8
	1717	180	56C	MM2518FC	ROLLED STEEL	TEFC	71.90%	2.55	6203	6203	21	9.6
0.33	1691	90	56C	MM3390NV	ROLLED STEEL	TENV	77.70%	5.1	6203	6203	23	8
	1691	90	56C	MM3390FC	ROLLED STEEL	TEFC	77.70%	5.1	6203	6203	23	9.6
	1687	180	56C	MM3318NV	ROLLED STEEL	TENV	69.90%	2.55	6203	6203	23	8
	1687	180	56C	MM3318FC	ROLLED STEEL	TEFC	69.90%	2.55	6203	6203	23	9.6
0.5	1702	90	56C	MM5090NV	ROLLED STEEL	TENV	81.90%	6.28	6203	6203	25	8.88
	1702	90	56C	MM5090FC	ROLLED STEEL	TEFC	81.90%	6.28	6203	6203	25	10.4
	1752	180	56C	MM5018NV	ROLLED STEEL	TENV	81.40%	3.14	6203	6203	25	8.88
	1752	180	56C	MM5018FC	ROLLED STEEL	TEFC	81.40%	3.14	6203	6203	25	10.4
0.75	1651	90	56C	MM7590FC	ROLLED STEEL	TEFC	83.90%	9.82	6203	6203	30	11.45
	1675	180	56C	MM7518FC	ROLLED STEEL	TEFC	84.00%	4.9	6203	6203	30	11.45
1	1739	90	56C	MM1090FC	ROLLED STEEL	TEFC	84.00%	12.7	6203	6203	33	12.24
	1739	180	56C	MM1018FC	ROLLED STEEL	TEFC	84.70%	6.4	6203	6203	33	12.24
1.5	1793	180	56C	MM1518FC-56C	ROLLED STEEL	TEFC	83.30%	7.86	6203	6203	45	14.39
	1793	180	145TC	MM1518FC	ROLLED STEEL	TEFC	83.30%	7.86	6305	6305	45	13.8
2	1751	180	56C	MM2018FC-56C	ROLLED STEEL	TEFC	82.80%	10.4	6305	6305	55	14.75
	1751	180	145TC	MM2018FC	ROLLED STEEL	TEFC	82.80%	10.77	6305	6305	55	14.8
3	1814	180	145TC	MM3018FC	ROLLED STEEL	TEFC	82.50%	18.6	6305	6305	70	16.9

